

# CDD 16/20 A2FLiH

H 1.6-2t electric pallet truck  
with foldable platform



# HELI

让世界更合力



**ANHUI HELI CO., LTD.**

Add / No.668, FangXing Road, Hefei, China

Fax / +86-551-63639966

Tel / +86-551-63639068(America); 63639258(Europe);  
63639358(Asia); 63662105(Africa & Middle East)



LinkedIn



YouTube



Facebook

\* Our products are subject to improvements and changes without notice.

Design&Print:FokellPrinting\_20250226



COMFORT AND ENERGY SAVING



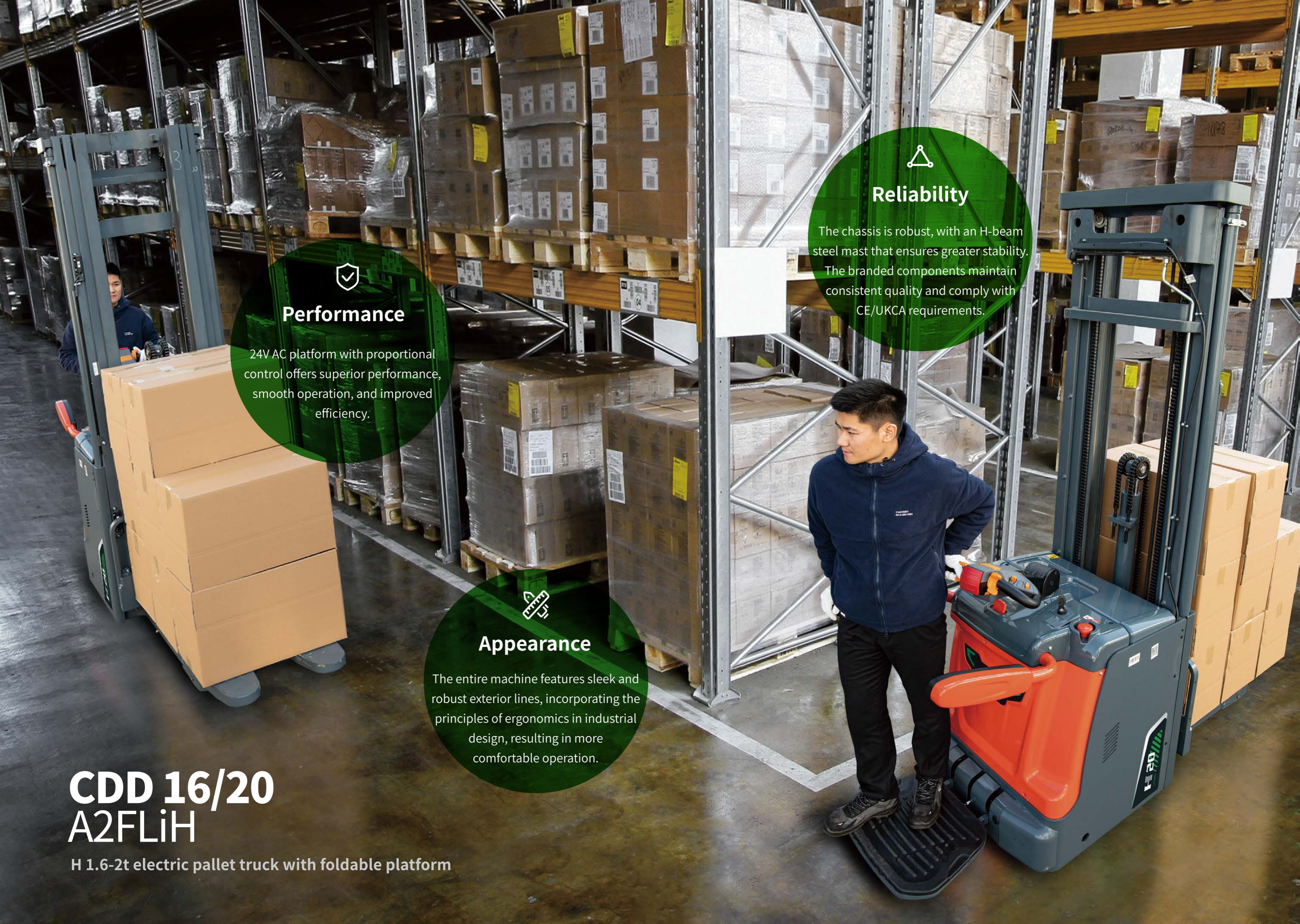
STABLE AND RELIABLE



INTELLIGENT SECURITY



CONVENIENT MAINTENANCE



  
**Performance**  
24V AC platform with proportional control offers superior performance, smooth operation, and improved efficiency.

  
**Reliability**  
The chassis is robust, with an H-beam steel mast that ensures greater stability. The branded components maintain consistent quality and comply with CE/UKCA requirements.

  
**Appearance**  
The entire machine features sleek and robust exterior lines, incorporating the principles of ergonomics in industrial design, resulting in more comfortable operation.

# CDD 16/20 A2FLiH

H 1.6-2t electric pallet truck with foldable platform



The charging port is located on the side, eliminating the need to disconnect the entire device, making charging convenient.



## TECHNICAL ADVANTAGES



Single work shift for **7.6 h**, meeting the requirement of an **8h** work schedule



Standard configuration of charger Fast charging.



The battery comes standard with electric heating, easily tackling cold environments.



The battery is designed for easy hoisting and replacement, ensuring convenient maintenance.

Model	Battery configuration		Discharge time (h, 100% to 10%)	Charging time (h, 10% to 100%)		Charging energy consumption (kWh)
				100A Charger		
CDD16-A2FLiH	Standard	24V/205Ah	5.2	2.0		4.7
	Optional	24V/300Ah	7.6	3.0		6.9
CDD20-A2FLiH	Standard	24V/300Ah	7.6	3.0		6.9
	Optional	24V/350Ah	8.9	3.5		8.1

# ROBUST PERFORMANCE

## Travel speed

Unladen 8km/h  
Laden 9km/h

## Gradeability

Unladen 6%  
Laden 16%

## Lift speed

Unladen 120mm/s  
Laden 260mm/s



### AC traction motor , ZF transmission, Strong power operation performance

Featuring a ZF transmission for reliable operation, an AC traction motor for superior driving performance, and electronic steering for comfortable handling

### ZAPI controller, precise and stable control, safe and reliable

The vehicle is equipped with a ZAPI controller, ensuring precise control and reliable quality. Additionally, it features a low-noise cooling fan, making the vehicle capable of handling any working condition without hesitation

### High performance proportional control system, comprehensively improving loading and unloading performance

The vehicle utilizes a CE-certified proportional control handle combined with a proportional valve pump station, which significantly enhances micro-control performance, making the overall loading and unloading operations smoother and more stable.



# INTELLIGENT SECURITY

## Equipped with loading operation safety system

The vehicle's travel speed varies depending on the height of the mast lift.

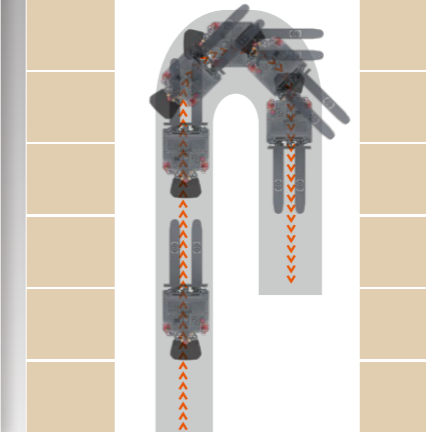
The vehicle automatically switches to slow-speed mode when the mast is raised to 400mm.

Slow-speed mode



The vehicle's operating speed varies depending on the handle control mode.

Standard configuration of speed limiting during turns.



## Equipped with adaptive damping steering system

It can achieve emergency stopping in critical situations and briefly reverse operation upon handle touch, ensuring driver safety.

## Equipped with adaptive damping steering system

Linking the steering force of the tiller to the vehicle speed: the faster the vehicle speed, the greater the steering force, further ensuring operational safety.



## Equipped with a driver stand-on sen sing safety system.

Similar to the counterbalance truck OPS system, it enables safe operation control and secure loading control in the driver stand-on mode.



# STABLE AND RELIABLE



## H-Beam Mast



Utilizing H-beam steel, the mast is more robust, providing a broader field of vision.



## Integrated Frame Body

Featuring an integrated, frame-type chassis structure, the vehicle's strength and rigidity are enhanced, offering better stability.



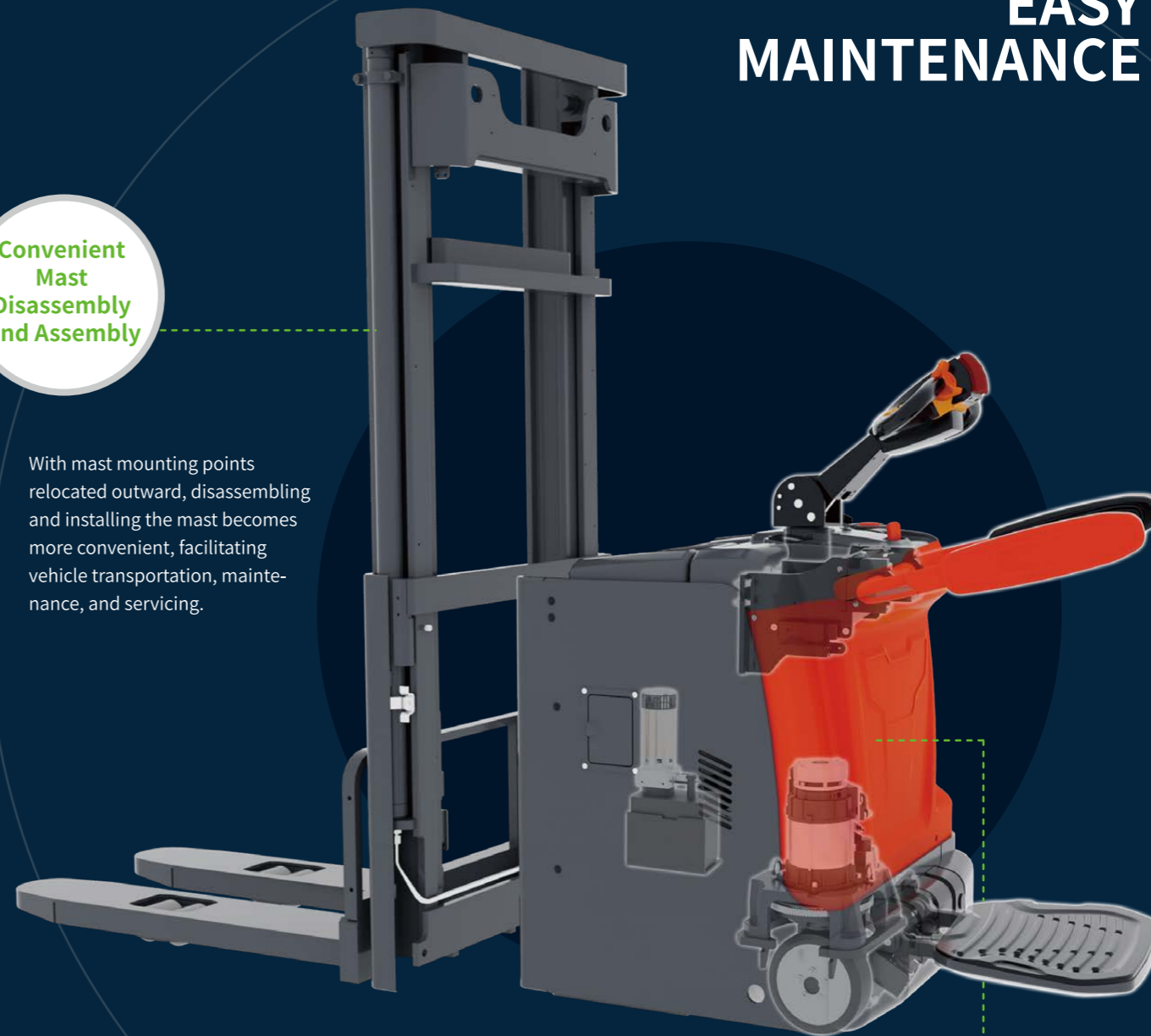
The vehicle adopts a modular design, enabling easy on-site assembly, more stable performance and quality, and convenient maintenance.

## Modular System

# EASY MAINTENANCE

## Convenient Mast Disassembly and Assembly

With mast mounting points relocated outward, disassembling and installing the mast becomes more convenient, facilitating vehicle transportation, maintenance, and servicing.



## Smart Color Screen Display

Equipped with an intelligent color screen display, it provides a superior visual experience, making the machine's status clear at a glance. The display features interactive functions, allowing direct parameter query and setup, with simple operation and easy maintenance.

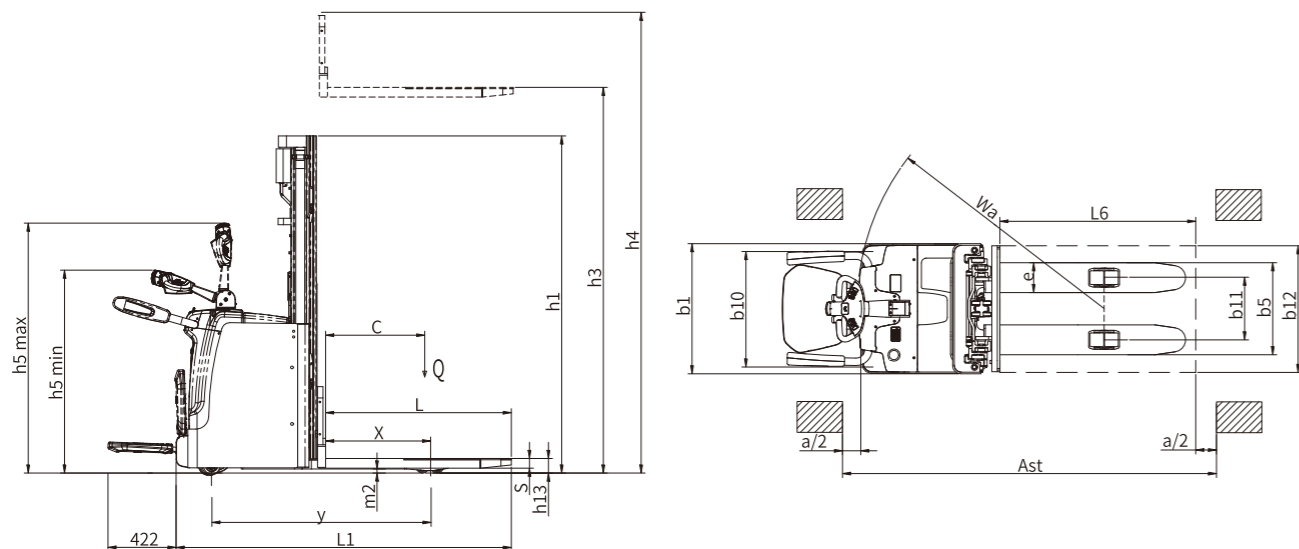


## Modular System Assembly

All vehicle systems are modular, simplifying maintenance. Auxiliary wheels can be replaced directly from the inside without hoisting. Drive wheels are equipped with bolt tightening and torque inspection holes, making repair and replacement convenient.

## MANUFACTURER AND TECHNICAL DATA

Characteristics					
1.01	Manufacturer	<b>HELI</b>			
1.02	Model	CDD16-A2FLiH		CDD20-A2FLiH	
1.03	Drive	Electric			
1.04	Operation	Pedestrian			
1.05	Rated capacity	Q	kg	1600	2000
1.06	Load centre distance	c	mm	600	
1.07	Load distance, centre of support arm wheel to fork	x	mm	667	
1.08	Wheelbase	y	mm	1264	1336
Weight					
2.01	Service weight (incl. battery/excl.battery)			kg	1320/1120
2.02	Axle load laden front/rear			kg	1025/1895
2.03	Axle load unladen front/rear			kg	925/395
Wheels / Chassis					
3.01	Tyres	Vulkollan			
3.02	Wheels, number front/back (x=driven)	1x+1/4		1x+1/4	
3.03	Tyre size, front	Ø250×75			
3.04	Additional wheels	Ø140×54			
3.05	Tyre size, rear	Ø85×85		Ø85×85	
3.06	Tread width, front	b10	mm	520	
3.07	Tread width, rear	b11	mm	385	
Dimensions					
4.01	Height, mast lowered	h1	mm	2088	2088
4.02	Free lift	h2	mm	0	
4.03	Max lifting height	h3	mm	3000	3000
4.04	Height, mast extended	h4	mm	3605	3605
4.05	Height of tiller handle in drive position min./max	h5	mm	1170/1560	
4.06	Overall length (station board stacked/station board lowered)	L1	mm	1982/2423	2054/2495
4.07	Length including fork shank (station board stacked/station board lowered)	L2	mm	832/1273	904/1345
4.08	Overall width	b1	mm	800	
4.09	Fork dimensions	s/e/l	mm	60/185/1150	
4.10	Width across forks	b5	mm	570	
4.11	Ground clearance centre of wheelbase	m2	mm	25	
4.12	Aisle width (pallet 1000×1200 sideways)	Ast	mm	2405	2477
4.13	Aisle width (pallet 800x1200 length)	Ast	mm	2392	2464
4.14	Turning radius	Wa	mm	1508	1580
Performance data					
5.01	Travel speed laden/unladen (station board stacked&station board lowered)			km/h	6/6 & 8/9
5.02	Lift speed laden/unladen			mm/s	150/300
5.03	Lowering speed laden/unladen			mm/s	450/370
5.04	Max. gradeability laden/unladen (station board stacked&station board lowered)			%	8/16 & 6/16
Battery/E-motor					
6.01	Drive motor, performance S2 60 min			kw	3
6.02	Lift motor, performance with S3			kw	3.2
6.03	Battery voltage/nominal capacity			V/Ah	24/205
6.04	Battery weight			kg	200
6.05	Battery weight			kg	180
Other					
7.01	Drive control type	AC			
7.02	Steering type	Electric steering			
7.03	Sound level at operator's workstation as per EN12053			dB (A)	64



## WIDE VIEW MAST

Mast model	Max.lifting height (mm)	Load capacity (load center 600mm) (kg)		Mast height h1 (mm)		Mast weight (kg)	
		1.6t	2t	1.6t	2t	1.6t	2t
M200	2000	1600	2000	1588	1588	408	413
M250	2500	1600	2000	1838	1838	440	448
M270	2700	1600	2000	1938	1938	454	461
M300	3000	1600	2000	2088	2088	473	482
M330	3300	1200	1550	2238	2238	493	502
M350	3500	1100	1400	2338	2338	506	516
M370	3700	1000	/	2438	/	519	/
M400	4000	900	/	2588	/	565	/
M425	4250	800	/	2688	/	579	/

## WIDE VIEW FULL FREE 3-STAGE MAST

Mast model	Max.lifting height (mm)	Load capacity (load center 600mm) (kg)		Mast height h1 (mm)		Free lift (with backrest)(mm)		Mast weight (kg)	
		1.6t	2t	1.6t	2t	1.6t	2t	1.6t	2t
ZSM360	3600	1050	1350	1838	1838	1303	1303	578	580
ZSM400	4000	850	1150	1988	1988	1453	1453	608	611
ZSM435	4350	750	1000	2088	2088	1553	1553	629	631
ZSM450	4500	700	950	2138	2138	1603	1603	638	641
ZSM470	4700	670	850	2208	2208	1673	1673	653	656
ZSM480	4800	650	800	2238	2238	1703	1703	659	662
ZSM500	5000	600	700	2338	2338	1803	1803	679	683
ZSM540	5400	550	650	2488	2488	1953	1953	728	733
ZSM600	6000	450	550	/	2688	/	2153	/	790

## Configuration parameter

		1.6t	2t			1.6t	2t
Load backrest	without load backrest	●	●	Battery capacity	24V/300Ah	○	●
	804X800	○	○		24V/350Ah	/	○
	804X1000	○	○		24V/205Ah	●	/
Fork length	1150mm	●	●	Tyres	Vulkollan	●	●
	1220mm	○	○	Startup Options	Universal keys (4 pieces)	●	●
External dimensions of fork	570mm	●	●		Password lock	○	○
	685mm	○	○		Card	○	○
Mast model	Full free 3-stage mast	○	○	Plates	Plates in Chinese	●	●
	Wide view mast	●	●		Plates in English	○	○
Lifting height	2000mm	○	○	Rearview mirror	Without rear view mirror	●	●
	2500mm	○	○		With rear view mirror	○	○
	2700mm	○	○	Front lights	No installed	●	●
	3000mm	●	●		Install	○	○
	3300mm	○	○	Warning lights	Without warning lights	●	●
	3500mm	○	○		Rotating warning light	○	○
	3600mm	○	○		Without rotating buzzer warning light	○	○
	3700mm	○	○				
	4000mm	○	○				
	4250mm	○	○				
	4350mm	○	○				
	4500mm	○	○				
4700mm	○	○					
4800mm	○	○					
5000mm	○	○					
5400mm	○	○					
6000mm	/	○					

Standard: ● Optional: ○ Not available: /

Standard: ● Optional: ○ Not available: /